



Trusted Difference at Every Turn



TAPERED ROLLER BEARING SOLUTIONS FOR INDUSTRIAL EQUIPMENT



PEER Tapered Roller Bearings are engineered to provide the highest reliability and performance under the tough conditions that industrial equipment must endure.

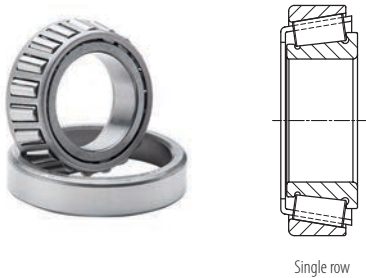
To ensure successful bearing operation, our Application Engineers work with you to specify the right PEER solution to meet your performance requirements the first time.

How do you benefit from choosing PEER Tapered Roller Bearings?

- Globally interchangeable inch and metric solutions allow drop in replacement for existing and new designs
- Application-specific solutions reduce internal bearing stress and extend bearing and machine life
- Industry-focused Application Engineers provide bearing selection competence to support your new product development
- Partner supplier provides proven operational reliability and cost-effective solutions to major industrial OEM's

Single Row Tapered Roller Bearings

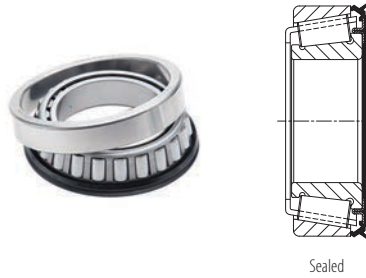
offer increased axial and radial load capacity relative to other bearing types. The inherent design allows for clearance adjustment during mounting to achieve the correct bearing setting for optimized performance.



Single row

Sealed Tapered Roller Bearings

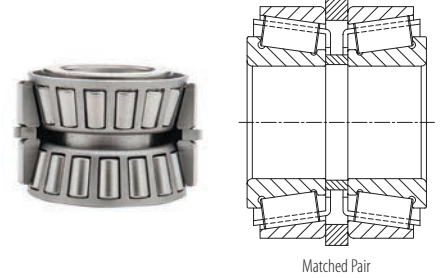
offer an integrated solution for grease lubricated applications as an economical replacement to a traditional shaft seal and bearing as individual components.



Sealed

Tapered Roller Bearing Matched Pairs

are assembled and pre-packaged with cup and cone spacers required to achieve a pre-determined bench end play. The result is a major reduction in assembly time and reduced risk of early failure due to improper clearance setting.



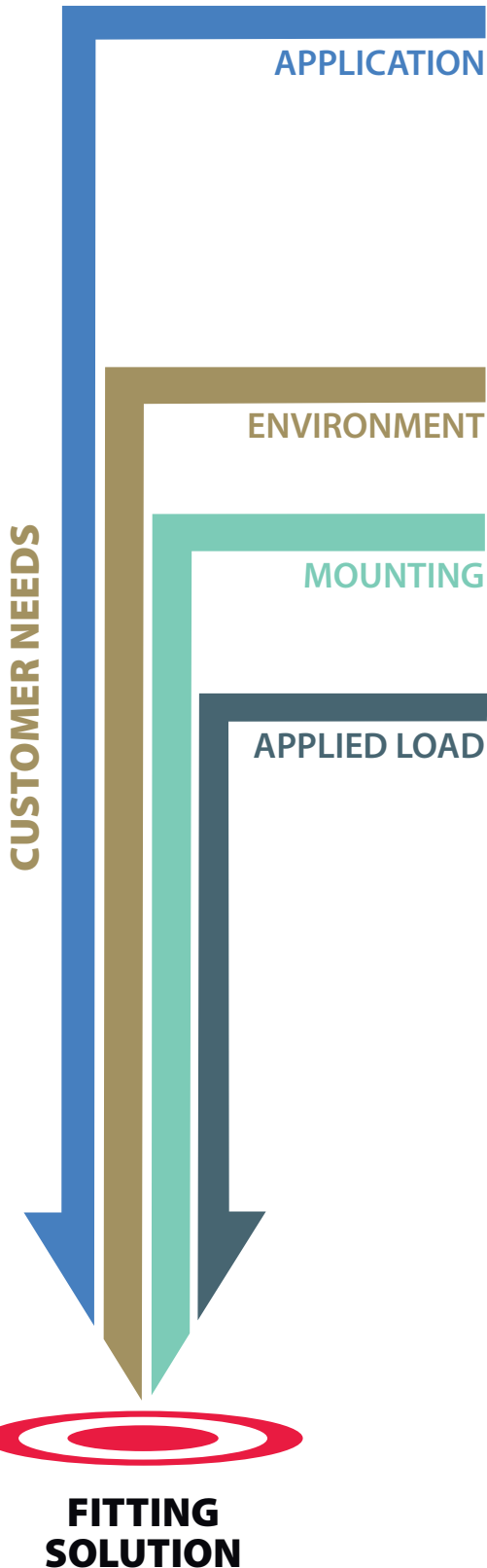
Matched Pair



TAPERED ROLLER BEARING CAPABILITIES

Bore Size:	15mm~200mm
Outside Diameter:	35mm~260mm
Ring Roller Material:	Through hardened SAE 52100, ISO100Cr6, GB/T GCr15
Precision Classes:	
– ISO Metric:	Normal, P6X
– Inch:	Class 4, Class 2
– J line Metric:	Class K, Class N
Heat Stabilization:	S0, S1, S2, S3
Solutions:	Standard, XT

Add Value and Reliability to your Equipment through Proper Bearing Selection



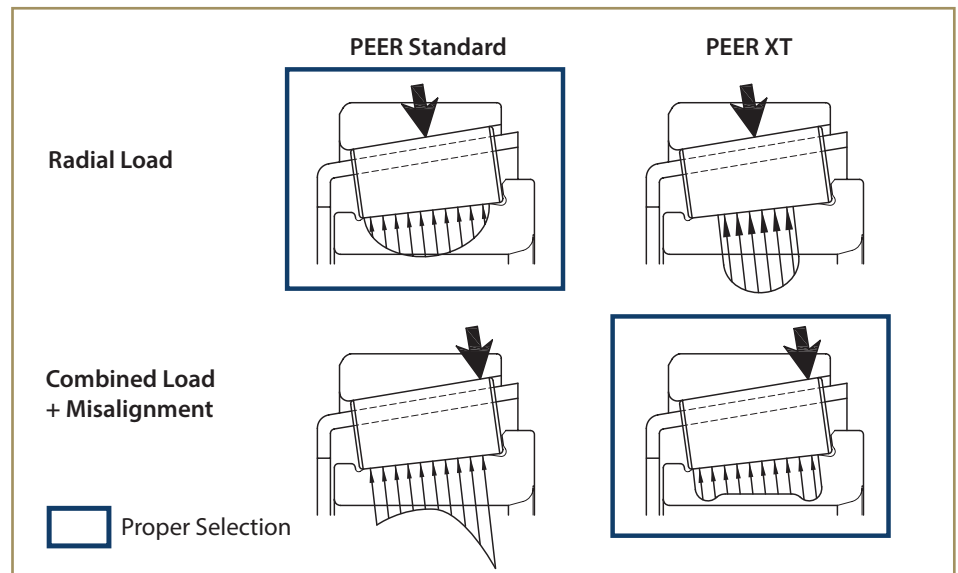
PEER's knowledgeable and industry focused Application Engineers collaborate with your technical team to understand the application, operating environment, applied load, and performance expectations. In doing so, PEER will match the right PEER solution to meet your application performance requirement.



By understanding the environment surrounding the bearing, PEER can assess the need to prevent contaminant ingress and retain lubricant by selecting a sealed TRB solution.

When a pre-determined bench end-play (clearance or preload) is critical for maximizing bearing performance, PEER will produce pre-assembled matched pairs. The advantage is a major reduction in your assembly time and reduced risk of early failures due to improper clearance setting.

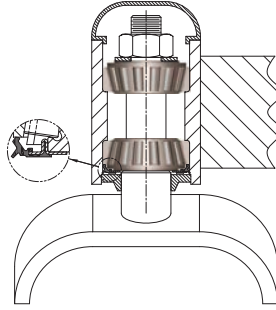
Understanding applied load during operation is critical to maximize tapered roller bearing performance. PEER Application Engineers utilize performance prediction tools to analyze bearing stress as part of the bearing selection and validation process. In certain applications, PEER engineered internal geometries are proven to lead to greater machine reliability without increasing bearing size or cost.



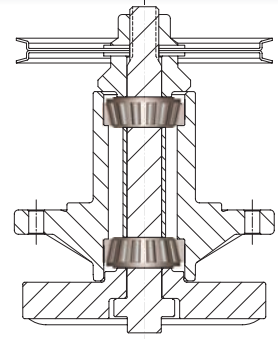
TYPICAL INDUSTRIAL APPLICATIONS

Assembled with PEER Bearings

MOWER

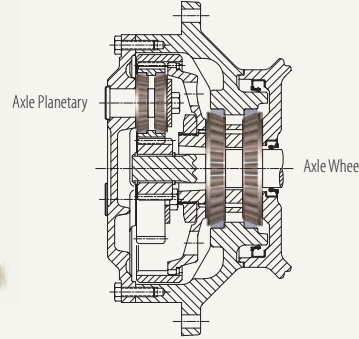


CASTER



SPINDLE

FARM TRACTOR

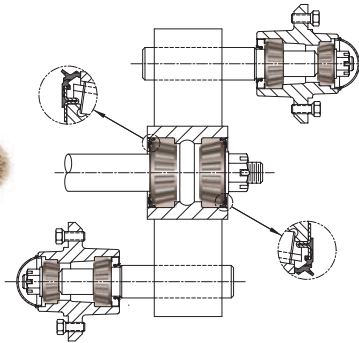


AXLE WHEEL

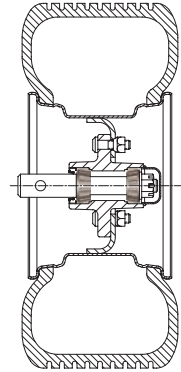


AXLE PLANETARY

AG IMPLEMENT

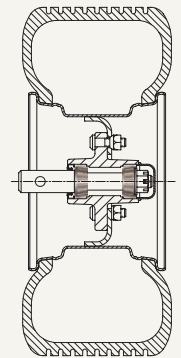


WALKING BEAM



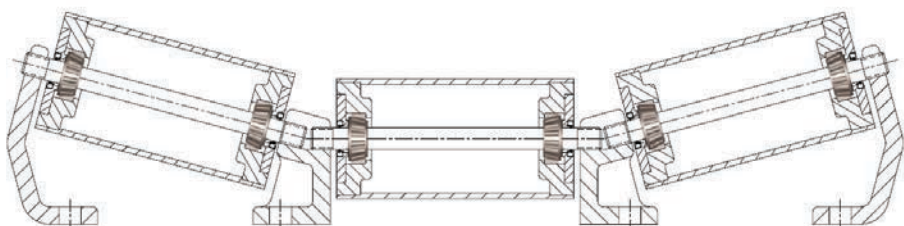
WHEEL

GRAIN CART



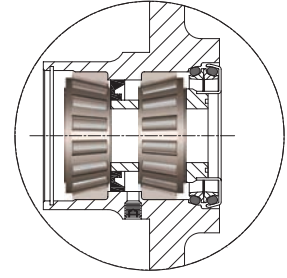
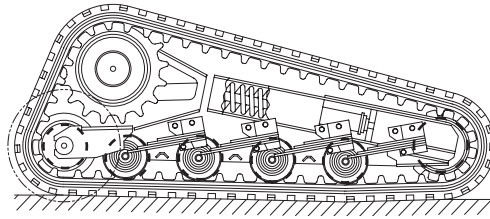
WHEEL

BULK CONVEYOR



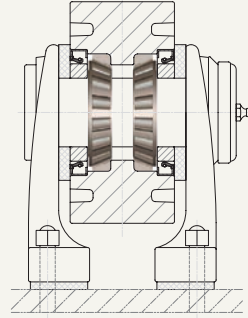
IDLER ROLL

COMPACT TRACK LOADER



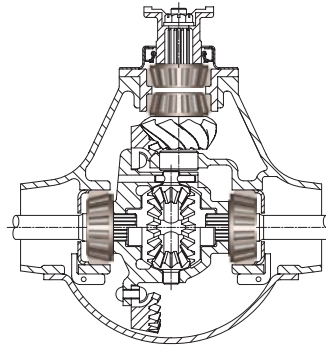
**TRACK ROLLER
TRACK IDLER**

CONCRETE MIXER



DRUM ROLLER

ATV / UTV

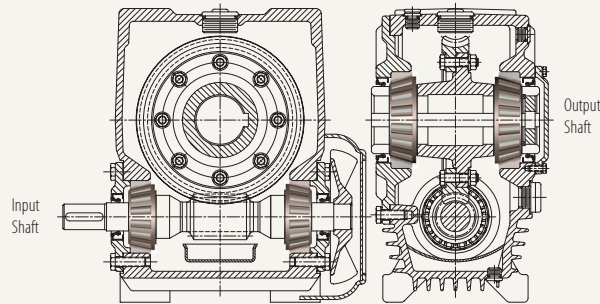


**AXLE
DIFFERENTIAL**

WORM GEARBOX



- Elevator
- Press
- Winch
- Gate
- Hoist
- Conveyor



**INPUT
SHAFT**

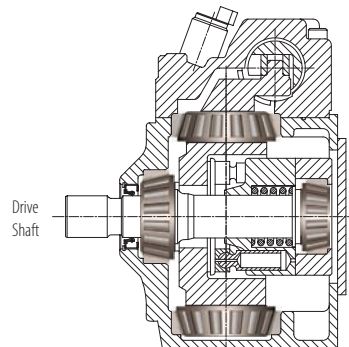


**OUTPUT
SHAFT**

HYDRAULIC PUMP



- Excavator
- Skid steer
- Backhoe loader
- Farm tractor
- Wheel loader
- Rice combine
- Forklift truck
- Rice transplant
- Concrete truck
- Pressure washer



**SWASH PLATE
TRUNNION**



**DRIVE
SHAFT**

Swash Plate Trunnion

ABOUT PEER



- ▲ Full line of agricultural, radial, mounted unit ball bearings and tapered roller bearings
- ▲ Valued bearing solutions for agricultural (including lawn & garden), electrical, fluid (including HVAC), industrial transmission, material handling (including baggage handling) and off-highway applications
- ▲ Global application engineering support
- ▲ TS-16949 certified manufacturing facilities
- ▲ Dedicated Research and Development center
- ▲ Testing capabilities include: fatigue life, noise/vibration, mud slurry and salt spray testing
- ▲ Flexible manufacturing to allow for low to high volume production
- ▲ Customer service excellence



Trusted Difference at Every Turn

To place an order call...

Brazil

PEER Bearing Comércio de Rolamentos Ltda.
Alameda Araguaia, 750/751 – Cj. 206
Alphaville, Barueri, SP
Brazil
CEP 06455-000
Tel: +55 11 2424 6444
lam.info@peerbearing.com

China

Shanghai PEER Bearing Co., Ltd.
9/F, Tower B, Central Towers,
No. 567 Langao Road, Putuo District,
Shanghai, 200333
China
Tel: +86 21 61484816
china.info@peerbearing.com

Germany

PEER Bearing GmbH
Gruitener Str. 23
40699 Erkrath
Germany
Tel: +49 (0) 2104 14263 0
europe.info@peerbearing.com

Italy

PEER Bearing S.r.l.
Via Paolo Nanni Costa, 12/3A
40133 Bologna
Italy
Tel: +39 051 6120405
europe.info@peerbearing.com

United States

PEER Bearing Company
2200 Norman Drive
Waukegan, IL 60085
USA
Tel: +1 847 578 1000
info@peerbearing.com



www.peerbearing.com

* PEER is a registered trademark of the PEER Group of Companies.
™ Trusted Difference at Every Turn is a trademark of the PEER Group of Companies.

♻️ Printed on recycled paper with 10% post-consumer fiber.
TRB ENG 0715